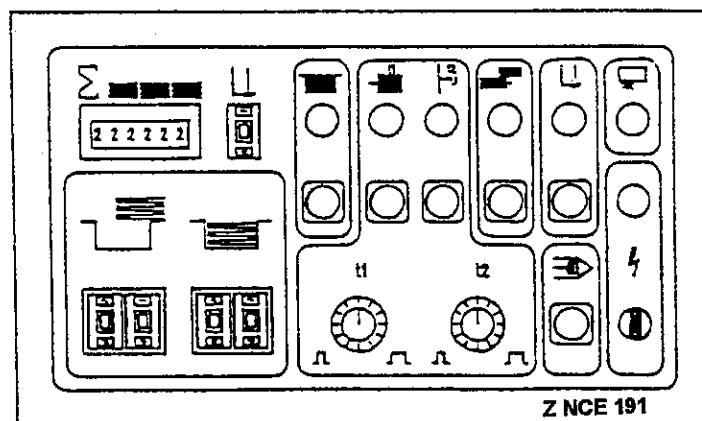
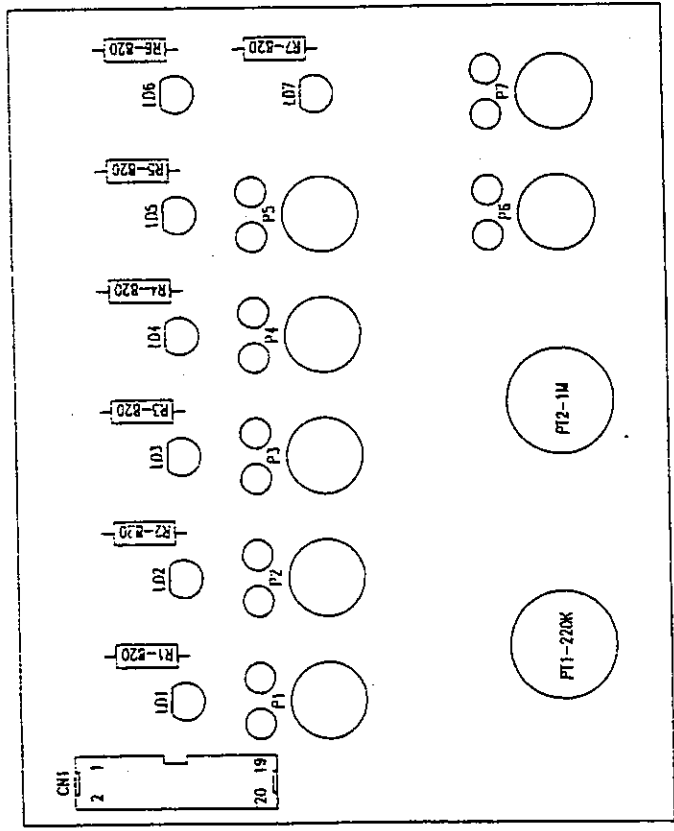


**NEW COUNTER EJECTOR  
Z NCE 191**

**MANUALE TECNICO  
TECHNICAL HANDBOOK  
MANUEL TECHNIQUE  
TECHNISCHES HANDBUCH  
MANUAL TECNICO**

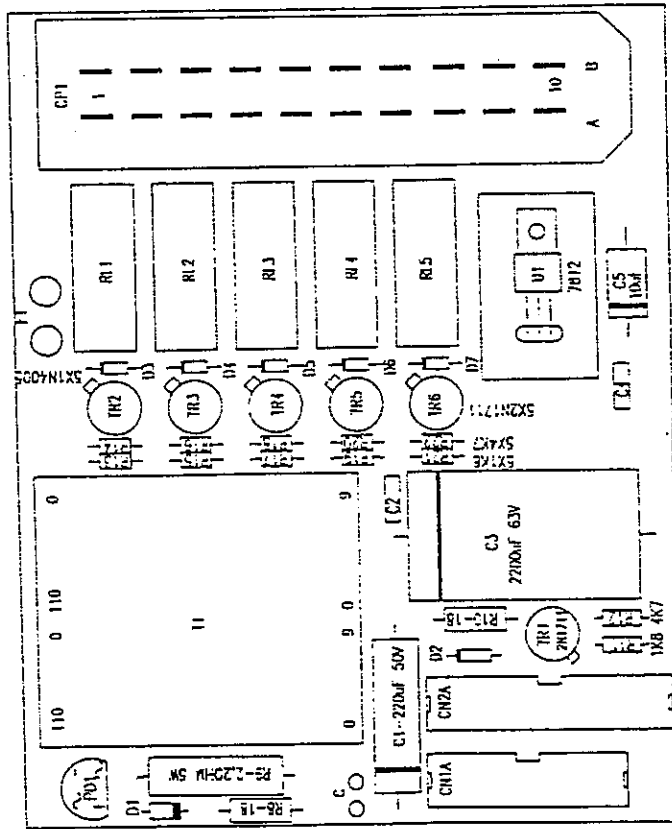


DISEGNO VISTO LATO COMPONENTI  
 COMPONENTS SIDE VIEW  
 DESSIN VU COTE COMPOSANTS  
 ZEICHNUNG KOMPONENTENSEITE  
 DIBUJO VISTO LATO COMPONENTES

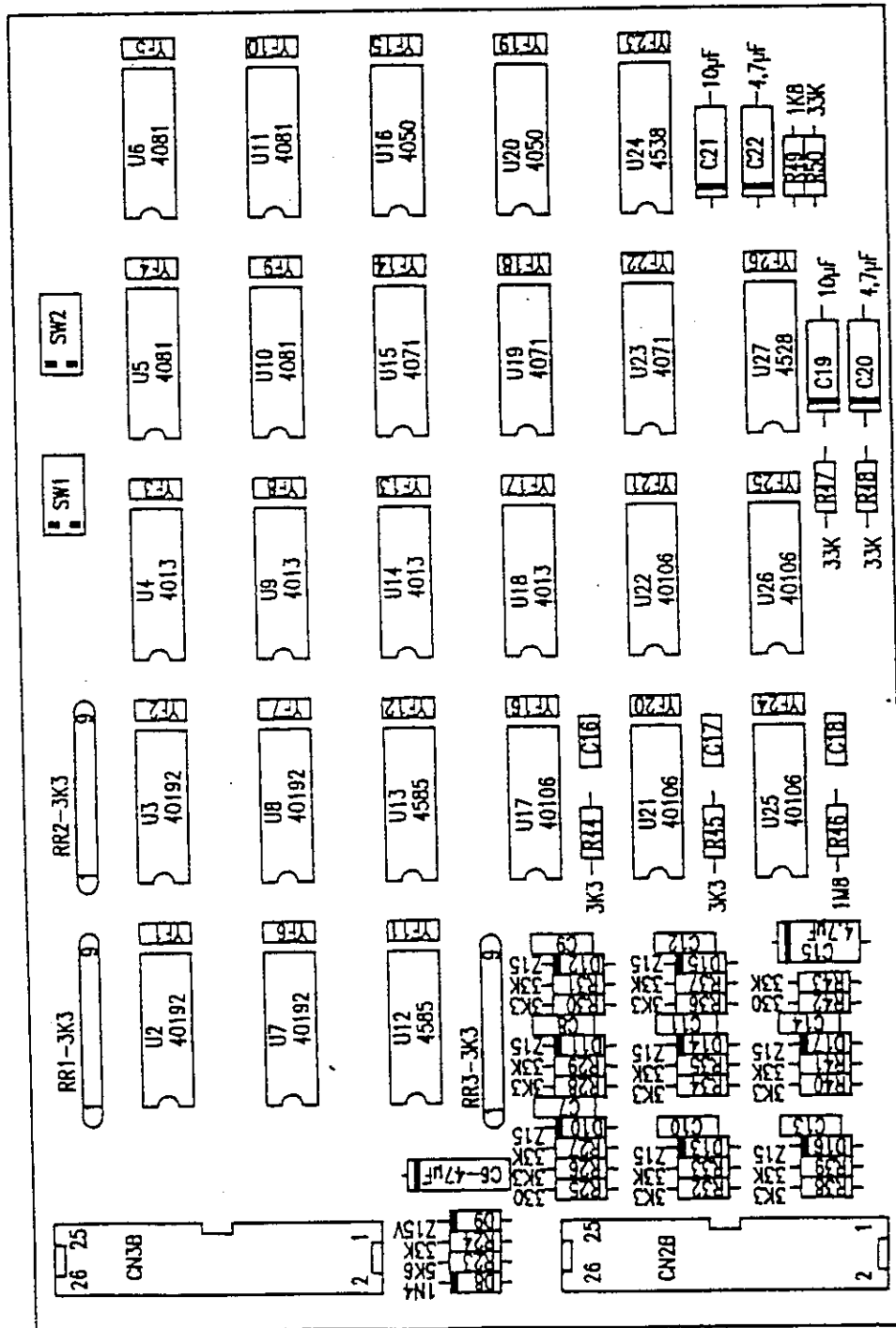


LAY-OUT SCHEDA DI INTERFACCIA PANNELLO COMANDI  
 CONTROL PANEL INTERFACE CARD LAYOUT  
 LAY-OUT FICHE D'INTERFACE PANNEAU COMMANDES  
 LAY-OUT SCHNITTSTELLENKARTE KOMMANDOFELD  
 LAY-OUT TARJETA DE INTERFACE PANEL MANDOS  
 1997  
 Z ICE 1

DISEGNO VISTO LATO COMPONENTI  
 COMPONENTS SIDE VIEW  
 DESSIN VU COTE COMPONENTS  
 ZEICHNUNG KOMPLEMENTENSEITE  
 DIBUJO VISTO LATO COMPONENTES



LAY-OUT SCHEDA DI POTENZA E USCITE  
 POWER AND OUTPUTS CARD LAYOUT  
 LAY-OUT FICHE DE PUISSANCE ET SORTIES  
 LAY-OUT, KARTE FÜR LEISTUNG UND AUSGÄNGE  
 LAY-OUT TARJETA DE POTENCIA Y SALIDA  
 1997 Z ICE 2



SCHEDA LOGICA DI COMANDO  
 CONTROL LOGIC CARD  
 FICHE LOGIQUE DE COMMANDE  
 KOMMANDOLOGIKKARTE  
 TARJETA LOGICA DE MANDO  
 1997 Z ICE 3

ELenco FUNZIONI SUL PANNELLO

LISTE DES FONCTIONS SUR LE PANNEAU

- S1 = COMPTEUR PAQUETS  
 S2 = SELECTEUR DEUXIEME SOULEVEMENT  
 S3 = SELECTEUR MISE EN PLACE RESERVOIRE  
 S4 = SELECTEUR MISE EN PLACE RESERVOIRE  
 PT1 = REGLAGE TEMPS D'EXPLUSION  
 PT2 = REGLAGE TEMPS GRILLE  
 P1 = TOUCHE COMMANDE MANUELLE SEPARATEUR  
 P2 = TOUCHE COMMANDE MANUELLE EXPULSEUR  
 P3 = TOUCHE COMMANDE MANUELLE GRILLE  
 P4 = INTERRUPTEUR EXCLUSION PREMIERE MONTEE  
 P5 = INTERRUPTEUR EXCLUSION DEUXIEME MONTEE  
 P6 = TOUCHE RESET  
 FUSE = FUSIBLE 315mA PROTECTION RESEAU  
 LD1 = LED PRESENCE COMMANDE SEPARATEUR  
 LD2 = LED PRESENCE COMMANDE EXPULSEUR  
 LD3 = LED PRESENCE COMMANDE GRILLE  
 LD4 = LED PRESENCE COMMANDE PREMIERE MONTEE  
 LD5 = LED PRESENCE COMMANDE DEUXIEME MONTEE  
 LD6 = LED LECTURE CELLULE PHOTO-ELECTRIQUE  
 LD7 = LED PRESENCE RESEAU

ELENCO FUNCIONES EN EL PANEL

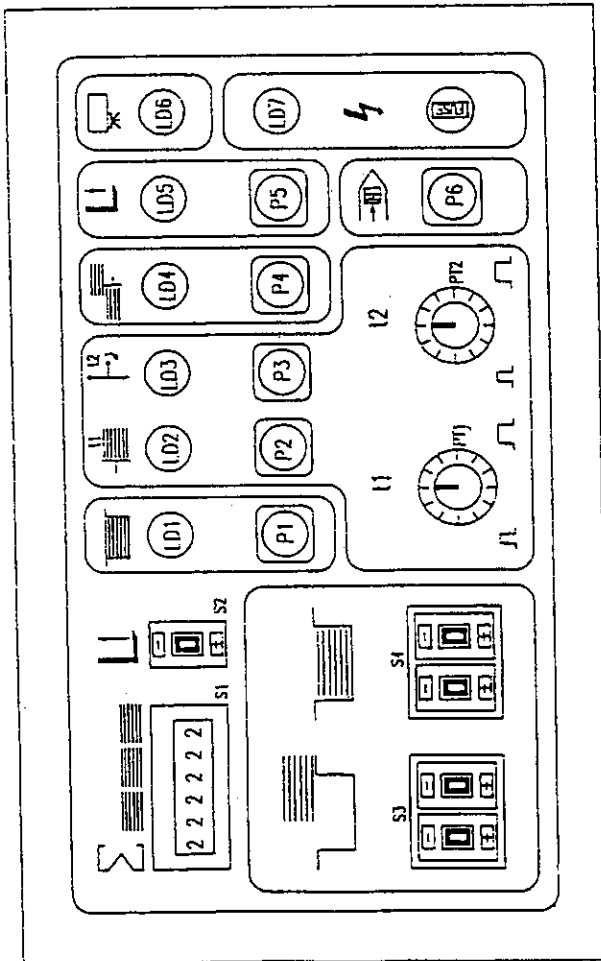
- S1 = CONTADOR PAQUETES  
 S2 = SELECTOR SEGUNDA ELEVACION  
 S3 = SELECTOR COLOCACION PAQUETE  
 S4 = SELECTOR COLOCACION PAQUETE  
 PT1 = REGULACION TIEMPO DE EXPULSION  
 PT2 = REGULACION TIEMPO REJA  
 P1 = PULSADOR MANDO MANUAL SEPARADOR  
 P2 = PULSADOR MANDO MANUAL EXPULSOR  
 P3 = PULSADOR MANDO MANUAL REJA  
 P4 = INTERRUPTOR EXCLUSION PRIMERA SUBIDA  
 P5 = INTERRUPTOR EXCLUSION SEGUNDA SUBIDA  
 P6 = PULSADOR RESET  
 FUSE = FUSIBLE 315mA PROTECCION RED  
 LD1 = LED PRESENCIA MANDO SEPARADOR  
 LD2 = LED PRESENCIA MANDO EXPULSOR  
 LD3 = LED PRESENCIA MANDO REJA  
 LD4 = LED PRESENCIA MANDO PRIMERA SUBIDA  
 LD5 = LED PRESENCIA MANDO SEGUNDA SUBIDA  
 LD6 = LED LECTURA FOTOCELULA  
 LD7 = LED PRESENCIA RED

**PANNELLO FRONTALE DI COMANDO**  
**FRONT CONTROL PANEL**  
**PANNEAU FRONTAL DE COMMANDE**  
**FRONTALKOMMANDOFELD**  
**PANEL FRONTAL DE MANDO**  
**1997**  
**Z ICE 4**

- S1 = COMAIORE PACCHI  
 S2 = SELETORE SICONIA ALZATA  
 S3 = SELETORE IMPOSTAZIONE SERBATOIO  
 S4 = SELETORE IMPOSTAZIONE SERBATOIO  
 PT1 = REGOLAZIONE TEMPO DI ESPULSIONE  
 PT2 = REGOLAZIONE TEMPO CANCELLETTO  
 P1 = PULSANTE COMANDO MANUALE SEPARATORE  
 P2 = PULSANTE COMANDO MANUALE ESPULSORE  
 P3 = PULSANTE COMANDO MANUALE CANCELLETTO  
 P4 = INTERRUPTORE L'ESCLUSIONE PRIMA SALITA  
 P5 = INTERRUPTORE L'ESCLUSIONE SICONIA SALITA  
 P6 = PULSANTE RESET  
 FUSE = FUSIBILE 315mA PROTEZIONE RETE  
 LD1 = LED PRESENZA COMANDO SEPARATORE  
 LD2 = LED PRESENZA COMANDO ESPULSORE  
 LD3 = LED PRESENZA COMANDO CANCELLETTO  
 LD4 = LED PRESENZA COMANDO PRIMA SALITA  
 LD5 = LED PRESENZA COMANDO SECONDA SALITA  
 LD6 = LED LETTURA FOTOCELLULA  
 LD7 = LED PRESENZA RETE

FUNKTIONSAUFSTELLUNG KOMMANDOFELD

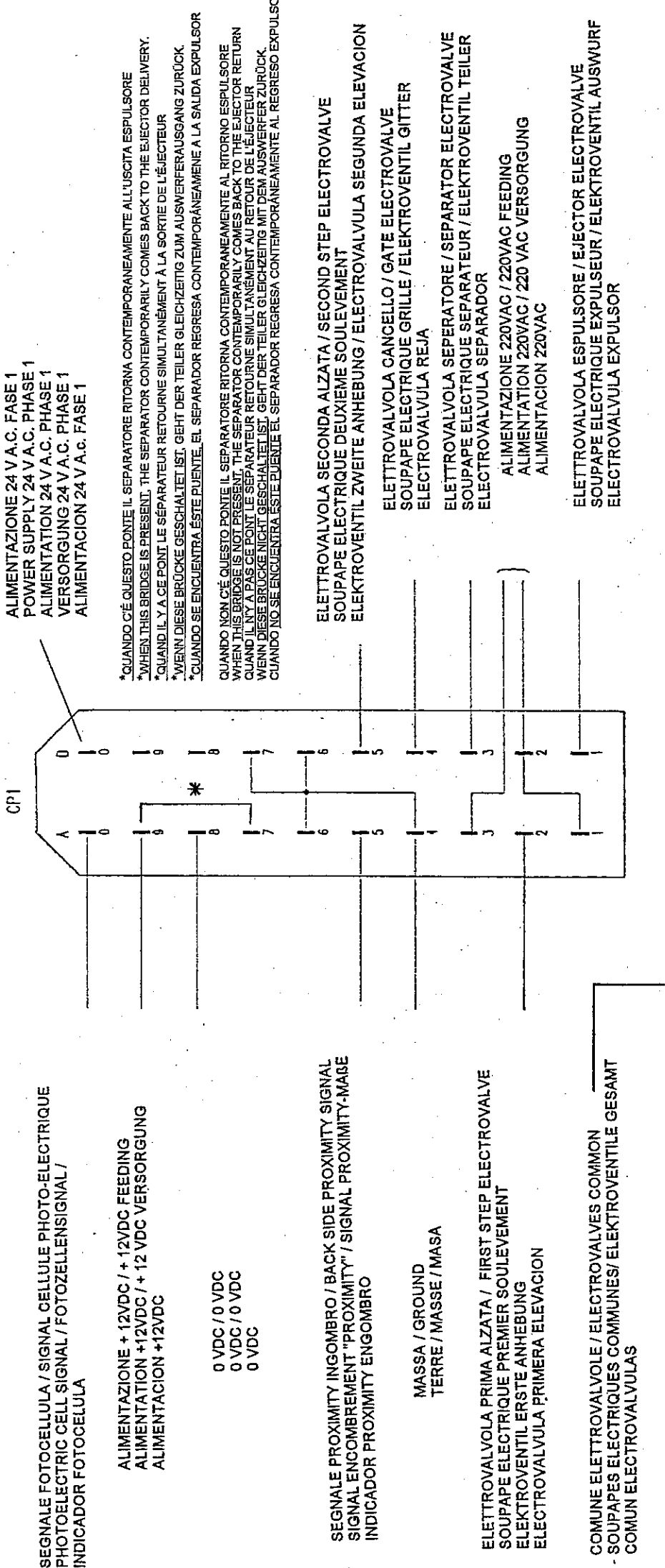
- S1 = STAPELZÄHLER  
 S2 = WAHLSCHALTER ZWEITE ANHEBUNG  
 S3 = WAHLSCHALTER STAPELEINSTELLUNG  
 S4 = WAHLSCHALTER SCHACHTEINSTELLUNG  
 PT1 = EINSTELLUNG AUSWURFZEIT  
 PT2 = EINSTELLUNG GITTERZEIT  
 P1 = DRUCKKNOPF HANDKOMMANDO TEILER  
 P2 = DRUCKKNOPF HANDKOMMANDO AUSWURF  
 P3 = DRUCKKNOPF HANDKOMMANDO GITTER  
 P4 = AUSSCHLUSCHALTER ERSTER ANSTIEG  
 P5 = AUSSCHLUSCHALTER ZWEITER ANSTIEG  
 P6 = RESET-DRUCKKNOPF  
 FUSE = 315 mA SICHERUNG NETZSCHUTZ  
 LD1 = LED TEILERKOMMANDO EINGESCHALTET  
 LD2 = LED AUSWURFKOMMANDO EINGESCHALTET  
 LD3 = LED GITTERKOMMANDO EINGESCHALTET  
 LD4 = LED ERSTER ANSTIEG EINGESCHALTET  
 LD5 = LED ZWEITER ANSTIEG EINGESCHALTET  
 LD6 = LED FOTOEZELLE LIEST  
 LD7 = LED NETZ EINGESCHALTET



FUNCTION LIST ON CONTROL PANEL

- S1 = BOXES COUNTER  
 S2 = SECOND LIFT SELECTOR  
 S3 = BOX SETTING OUT SELECTOR  
 S4 = TANK SETTING OUT SELECTOR  
 PT1 = EJECTING TIME REGULATION  
 PT2 = GATE TIME REGULATION  
 P1 = SEPARATOR MANUAL OPERATING MECHANISM PUSHBUTTON  
 P2 = EJECTOR MANUAL OPERATING MECHANISM PUSHBUTTON  
 P3 = GATE MANUAL OPERATING MECHANISM PUSHBUTTON  
 P4 = FIRST STEP CUTTING OUT SWITCH  
 P5 = SECOND STEP CUTTING OUT SWITCH  
 P6 = RESET PUSHBUTTON  
 FUSE = FUSE 315 mA NETWORK PROTECTION  
 LD1 = LED INDICATING THE PRESENCE OF SEPARATOR OPERATING MECHANISM  
 LD2 = LED INDICATING THE PRESENCE OF EJECTOR OPERATING MECHANISM  
 LD3 = LED INDICATING THE PRESENCE OF GATE OPERATING MECHANISM  
 LD4 = LED INDICATING THE PRESENCE OF FIRST STEP OPERATING MECHANISM  
 LD5 = LED INDICATING THE PRESENCE OF SECOND STEP OPERATING MECHANISM  
 LD6 = PHOTOCELL READING LED  
 LD7 = LED INDICATING THE PRESENCE OF NETWORK

ALIMENTAZIONE ELETTROVALVOLE 24 V A.C. // ALIMENTATION ELECTROVANNES 24 V A.C. // ALIMENTACION ELECTROVALVULAS 24 V A.C. // VERSORGUNG ELEKTROVENTILE 24 V A.C. // ALIMENTACION ELECTROVALVULAS 24 V A.C.



ALIMENTAZIONE 24 V A.C. FASE 1  
 POWER SUPPLY 24 V A.C. PHASE 1  
 ALIMENTATION 24 V A.C. PHASE 1  
 VERSORGUNG 24 V A.C. PHASE 1  
 ALIMENTACION 24 V A.C. FASE 1

\*QUANDO C'È QUESTO PONTE IL SEPARATORE RITORNA CONTEMPORANEAMENTE ALL'USCITA ESPULSORE  
 WHEN THIS BRIDGE IS PRESENT, THE SEPARATOR TEMPORARILY COMES BACK TO THE EJECTOR DELIVERY.  
 \*QUAND IL Y A CE PONT LE SEPARATEUR RETOURNE SIMULTANÉMENT À LA SORTIE DE L'ÉJECTEUR  
 \*WENN DIESE BRÜCKE GESCHALTET IST, GEHT DER TEILER GLEICHZEITIG ZUM AUSWERFERAUSGANG ZURÜCK.  
 \*CUANDO SE ENCUENTRA ÉSTE PUENTE, EL SEPARADOR REGRESA CONTEMPORÁNEAMENTE A LA SALIDA EXPULSOR

QUANDO NON C'È QUESTO PONTE IL SEPARATORE RITORNA CONTEMPORANEAMENTE AL RITORNO ESPULSORE  
 WHEN THIS BRIDGE IS NOT PRESENT, THE SEPARATOR TEMPORARILY COMES BACK TO THE EJECTOR RETURN  
 QUAND IL N'Y A PAS CE PONT LE SEPARATEUR RETOURNE SIMULTANÉMENT AU RETOUR DE L'ÉJECTEUR  
 WENN DIESE BRÜCKE NICHT GESCHALTET IST, GEHT DER TEILER GLEICHZEITIG MIT DEM AUSWERFER ZURÜCK.  
 CUANDO NO SE ENCUENTRA ÉSTE PUENTE EL SEPARADOR REGRESA CONTEMPORÁNEAMENTE AL REGRESO EXPULSOR

SEGNALE PROXIMITY INGOMBRO / BACK SIDE PROXIMITY SIGNAL  
 SIGNAL ENCOMBREMENT "PROXIMITY" / SIGNAL PROXIMITY-MASSE  
 INDICADOR PROXIMITY ENGOMBRO

MASSA / GROUND  
 TERRE / MASSE / MASA

ELETTROVALVOLE PRIMA ALZATA / FIRST STEP ELECTROVALVE  
 SOUPAPE ELECTRIQUE PREMIER SOULEVEMENT  
 ELEKTROVENTIL ERSTE ANHEBUNG  
 ELECTROVALVULA PRIMERA ELEVACION

COMUNE ELETTROVALVOLE / ELECTROVALVES COMMON  
 - SOUPAPES ELECTRIQUES COMMUNES / ELEKTROVENTILE GESAMT  
 COMUN ELECTROVALVULAS

ALIMENTAZIONE 24 V A.C. FASE 2  
 POWER SUPPLY 24 V A.C. PHASE 2  
 ALIMENTATION 24 V A.C. PHASE 2  
 VERSORGUNG 24 V A.C. PHASE 2  
 ALIMENTACION 24 V C.A. FASE 2

CONNETTORE 20 POLI TIPO CANNON FEMMINA VOLANTE  
 20 POLES CONNECTOR TYPE CANNON TONGUE AERIAL  
 CONNECTEUR 20 POLES TYPE CANNON FEMELLE VOLANTE  
 20 POL VERBINDER, TYP CANNON MOBIL WEIBLICH  
 CONECTOR 20 POLOS TIPO CANNON HEMBRA AEREO  
 Z ICE 5  
 1997

Z NCE 191

ALIMENTAZIONE ELETTROVALVOLE 220 V A.C.  
ELECTRO-VALVES SUPPLY 220 V A.C. // ALIMENTATION ELECTROVALVANNES 220 V A.C.  
VERSORGUNG ELEKTROVENTIL 220 V A.C. // ALIMENTACION ELECTROVALVULAS 220 V A.C.

CPI

SEGNALE FOTOCELLULA / SIGNAL CELLULE PHOTO-ELECTRIQUE  
PHOTOELECTRIC CELL SIGNAL / FOTOTZELLENSIGNAL /  
INDICADOR FOTOCELULA

ALIMENTAZIONE + 12VDC / + 12VDC FEEDING  
ALIMENTATION +12VDC / + 12 VDC VERSORGUNG  
ALIMENTACION +12VDC

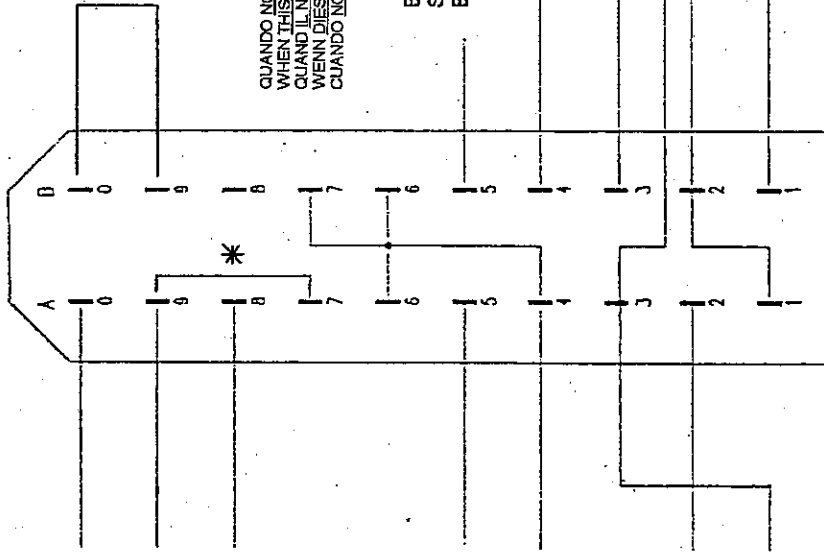
0 VDC / 0 VDC  
0 VDC / 0 VDC  
0 VDC

SEGNALE PROXIMITY INGOMBRO / BACK SIDE PROXIMITY SIGNAL  
SIGNAL ENCOMBREMENT "PROXIMITY" / SIGNAL PROXIMITY-MASSE  
INDICADOR PROXIMITY ENGOMBRO

MASSA / GROUND  
TERRE / MASSE / MASA

ELETTROVALVOLA PRIMA ALZATA / FIRST STEP ELECTROVALVE  
SOUPAPE ELECTRIQUE PREMIER SOULEVEMENT  
ELEKTROVENTIL ERSTE ANHEBUNG  
ELECTROVALVULA PRIMERA ELEVACION

COMUNE ELETTROVALVOLE / ELECTROVALVES COMMON  
SOUPAPES ELECTRIQUES COMMUNES/ ELEKTROVENTILE GESAMT  
COMUN ELECTROVALVULAS



\*QUANDO C'È QUESTO PONTE IL SEPARATORE RITORNA  
CONTemporaneamente ALL'USCITA ESPULSORE  
\*WHEN THIS BRIDGE IS PRESENT, THE SEPARATOR  
CONTemporARILY COMES BACK TO THE EJECTOR DELIVERY.  
\*QUAND IL Y A CE PONT LE SEPARATEUR RETOURNE  
SIMULTANEMENT A LA SORTIE DE L'ÉJECTEUR  
\*WENN DIESE BRÜCKE GESCHALTET IST, GEHT DER TEILER  
GLEICHZEITIG ZUM AUSWERFERAUSGANG ZURÜCK.  
\*CUANDO SE ENCUENTRA ESTE PUENTE, EL SEPARADOR REGRESA  
CONTemporaneamente A LA SALIDA EXPULSOR

QUANDO NON C'È QUESTO PONTE IL SEPARATORE RITORNA CONTemporaneamente AL RITORNO ESPULSORE  
WHEN THIS BRIDGE IS NOT PRESENT, THE SEPARATOR CONTemporARILY COMES BACK TO THE EJECTOR RETURN  
QUAND IL NY A PAS CE PONT LE SEPARATEUR RETOURNE SIMULTANEMENT AU RETOUR DE L'ÉJECTEUR  
WENN DIESE BRÜCKE NICHT GESCHALTET IST, GEHT DER TEILER GLEICHZEITIG MIT DEM AUSWERFER ZURÜCK  
CUANDO NO SE ENCUENTRA ESTE PUENTE EL SEPARADOR REGRESA CONTemporaneamente AL REGRESO EXPULSOR

ELETTROVALVOLA SECONDA ALZATA / SECOND STEP ELECTROVALVE  
SOUPAPE ELECTRIQUE DEUXIEME SOULEVEMENT  
ELEKTROVENTIL ZWEITE ANHEBUNG / ELECTROVALVULA SEGUNDA ELEVACION

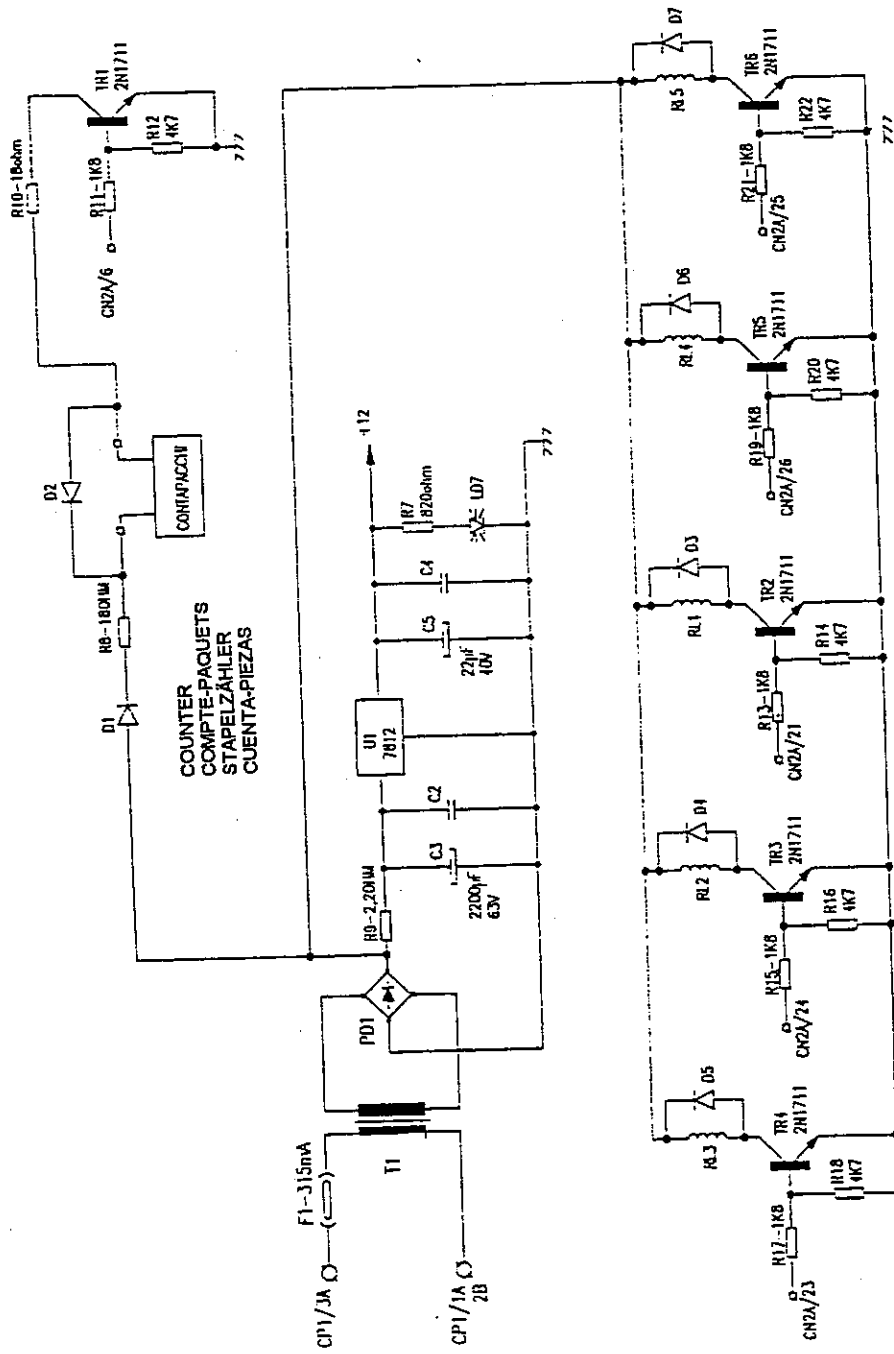
ELETTROVALVOLA CANCELLO / GATE ELECTROVALVE  
SOUPAPE ELECTRIQUE GRILLE / ELEKTROVENTIL GITTER  
ELECTROVALVULA REJA

ELETTROVALVOLA SEPARATORE / SEPARATOR ELECTROVALVE  
SOUPAPE ELECTRIQUE SEPARATEUR / ELEKTROVENTIL TEILER  
ELECTROVALVULA SEPARADOR

ALIMENTAZIONE 220VAC / 220VAC FEEDING  
ALIMENTATION 220VAC / 220 VAC VERSORGUNG  
ALIMENTACION 220VAC

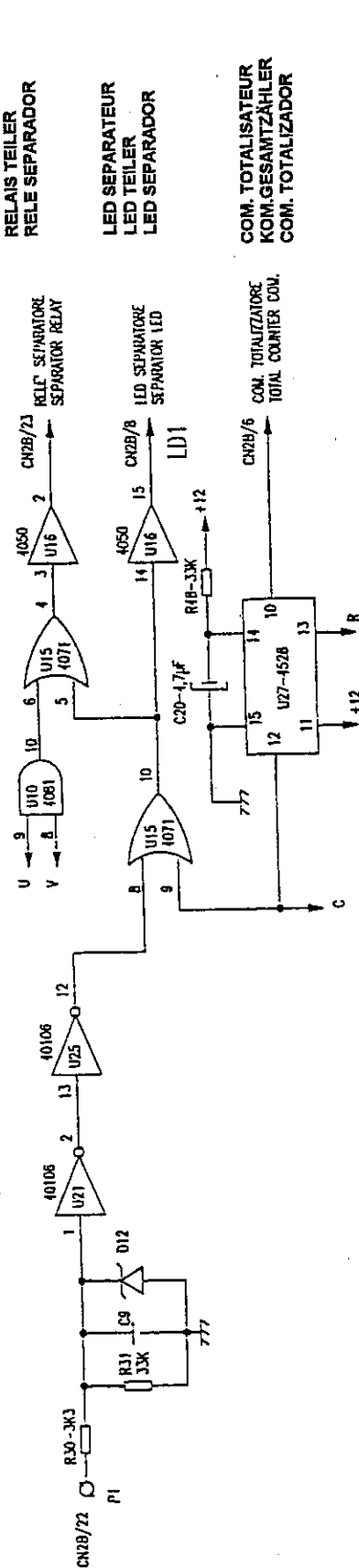
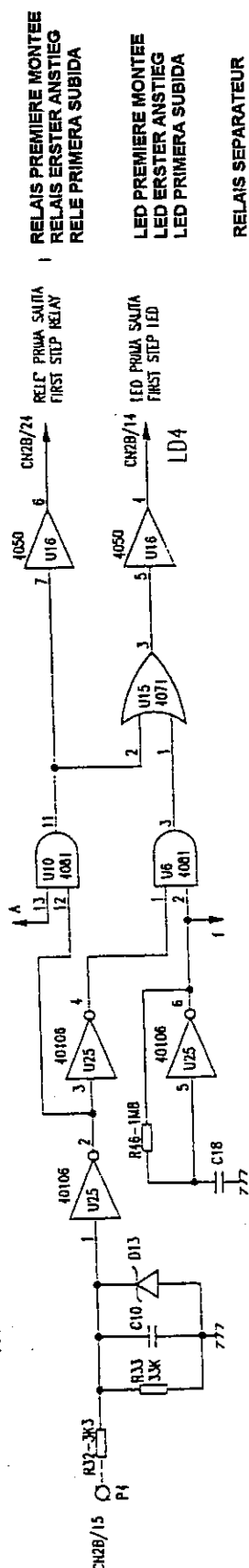
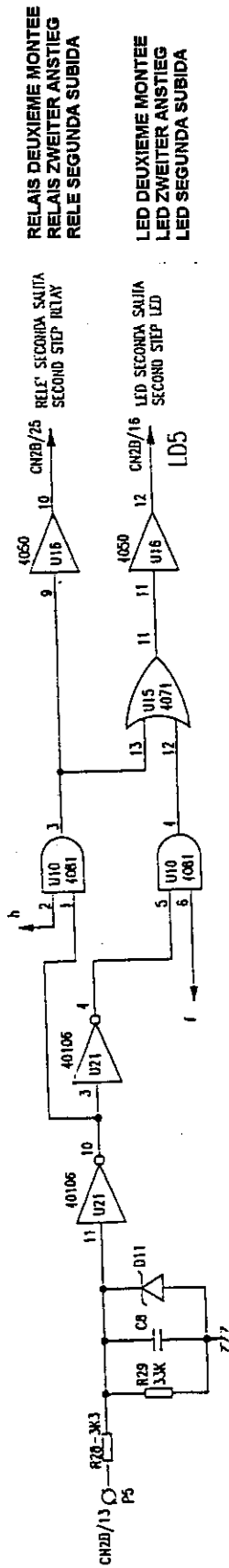
ELETTROVALVOLA ESPULSORE / EJECTOR ELECTROVALVE  
SOUPAPE ELECTRIQUE EXPULSEUR / ELEKTROVENTIL AUSWURF  
ELECTROVALVULA EXPULSOR

CONNETTORE 20 POLI TIPO CANNON FEMMINA VOLANTE  
20 POLES CONNECTOR TYPE CANNON TONGUE AERIAL  
CONNECTEUR 20 POLES TYPE CANNON FEMELLE VOLANTE  
20 POL VERBINDER, TYP CANNON MOBIL WEIBLICH  
CONECTOR 20 POLOS TIPO CANNON HEMBRA AEREO  
Z ICE 6  
1997



SCHEMA ELETTRICO SEZIONE ALIMENTATORE E RELE  
 FEEDER AND RELAY SECTION ELECTRICAL DIAGRAM  
 SCHEMA ELECTRIQUE SECTION ALIMENTATEUR ET RELAIS  
 ELEKTRISCHES SCHALTBILO VERSORGER- UND RELAISSSEKTION  
 DIAGRAMA ELECTRICO SECCION ALIMENTACION Y RELE  
 1997 Z ICE 7





RELAI SECONDA SALITA  
LED SECONDA SALITA

RELAI PRIMA SALITA  
LED PRIMA SALITA

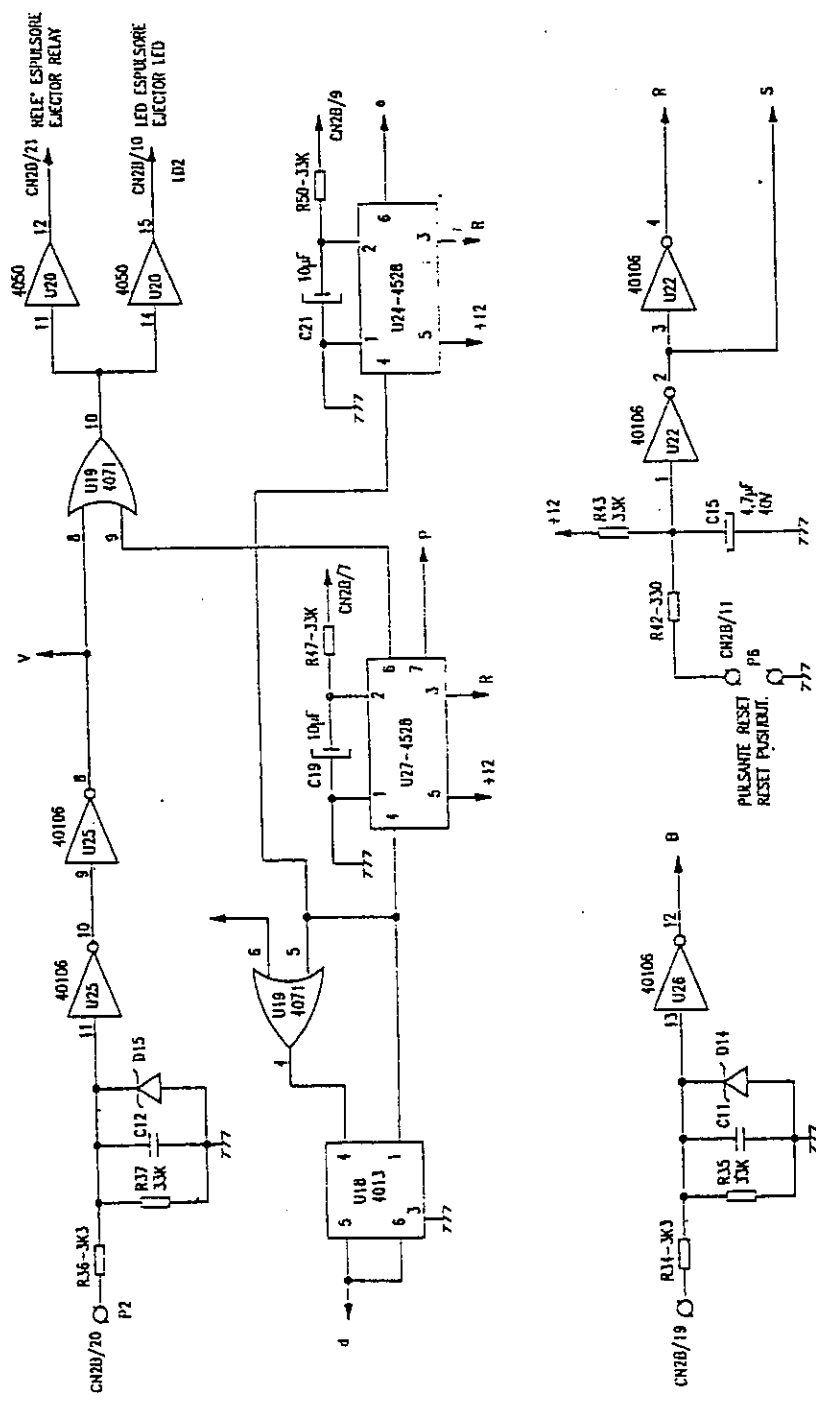
RELAI SEPARATORE  
LED SEPARATORE

COM. TOTALIZZATORE  
TOTAL COUNTER COM.

SCHEMA ELETRICO DI FUNZIONAMENTO  
KEY ELECTRICAL DIAGRAM  
SCHEMA ELECTRIQUE DE FONCTIONNEMENT  
ELEKTRISCHES FUNKTIONSSCHALTBILD  
DIAGRAMA ELECTRICO DE FUNCIONAMIENTO  
Z ICE 9

RELAIS EXPULSEUR  
 RELAIS AUSWURF  
 RELE EXPULSOR

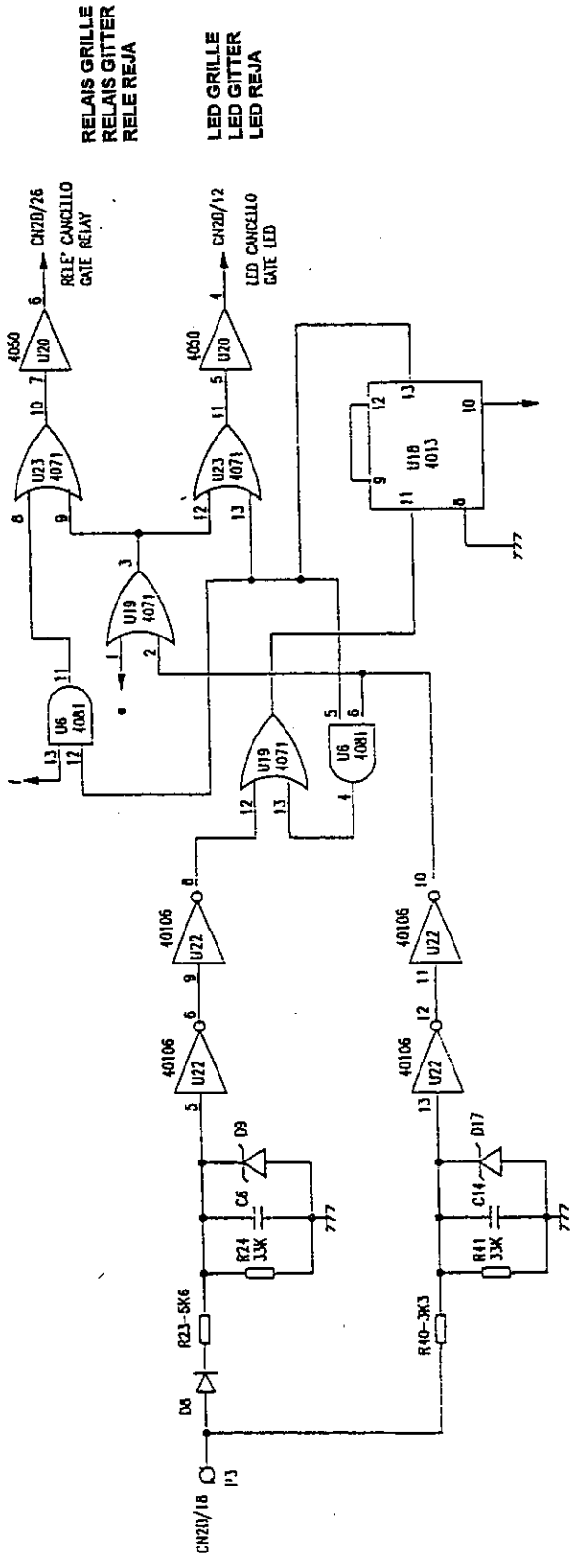
LED EXPULSEUR  
 LED AUSWURF  
 LED EXPULSOR



TOUCHE RESET  
 RESET-DRUCKKNOPF  
 PULSADOR RESET

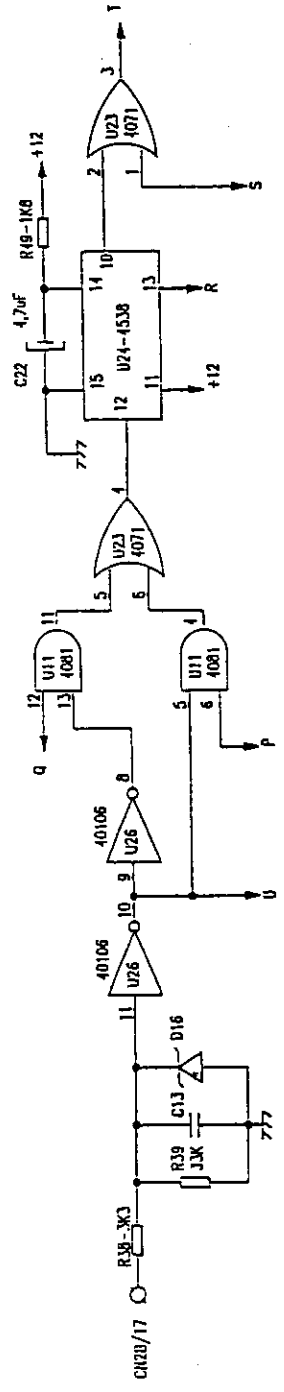
SCHEMA ELETTRICO DI FUNZIONAMENTO  
 KEY ELECTRICAL DIAGRAM  
 SCHEMA ELECTRIQUE DE FONCTIONNEMENT  
 ELEKTRISCHES FUNKTIONSSCHALTBILD  
 DIAGRAMA ELECTRICO DE FUNCIONAMIENTO  
 Z ICE 10  
 1997





RELAIS GRILLE  
 RELAIS GITTER  
 RELE REJA

LED GRILLE  
 LED GITTER  
 LED REJA



SCHEMA ELETTRICO DI FUNZIONAMENTO  
 KEY ELECTRICAL DIAGRAM  
 SCHEMA ELECTRIQUE DE FONCTIONNEMENT  
 ELEKTRISCHES FUNKTIONSSCHALTBILD  
 DIAGRAMA ELECTRICO DE FUNCIONAMIENTO  
 1997  
 Z ICE 12